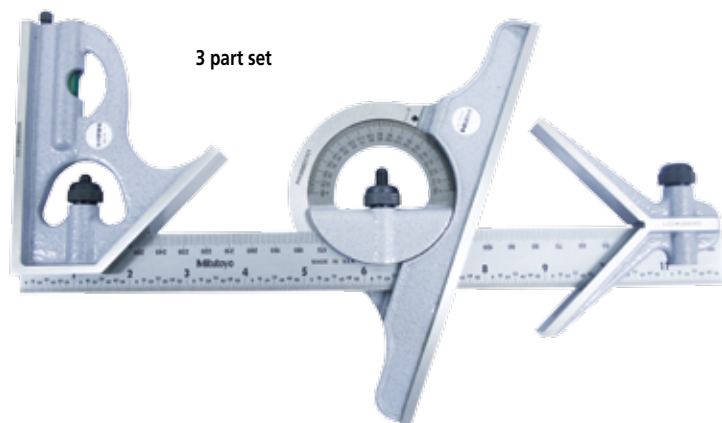


# Combination Square Set

## SERIES 180

### FEATURES

- Measuring head are attached to the graduated steel rule (blade), allowing versatile measurements on various types of workpieces
- The measuring head come hardened or cast iron-not-hardened
- Economy sets not including a protractor head are also available



### SPECIFICATIONS

**Head Only** \_\_\_\_\_ Hardened

Order No.	Description
<b>180-102B</b>	Square Head for 12"/300mm to 24"/600mm
<b>180-202B</b>	Center Head for 12"/300mm to 24"/600mm

**Head Only** \_\_\_\_\_ Cast iron-not hardened

Order No.	Description
<b>180-112B</b>	Square Head for 12"/300mm to 24"/600mm
<b>180-212B</b>	Center Head for 12"/300mm to 24"/600mm
<b>180-301B</b>	Protractor Head for 12"/300mm to 24"/600mm

**Inch/Metric** \_\_\_\_\_ Hardened Combination Square Sets

Set No.	Blade		Square Head	Center Head	Protractor Head	
	Size	Type				
<b>180-903B</b>	12"	4R	<b>180-501B</b>	<b>180-102B</b>	<b>180-202B</b>	-
<b>180-905B</b>	12"	4R	<b>180-501B</b>	<b>180-102B</b>	<b>180-202B</b>	<b>180-301B*</b>
<b>180-906B</b>	12"	16R	<b>180-502B</b>	<b>180-102B</b>	<b>180-202B</b>	<b>180-301B*</b>
<b>180-907B</b>	12"/300mm	E/M	<b>180-503B</b>	<b>180-102B</b>	<b>180-202B</b>	<b>180-301B*</b>
<b>180-910B</b>	300mm	Metric	<b>180-505B</b>	<b>180-102B</b>	<b>180-202B</b>	<b>180-301B*</b>

\*Cast iron-not hardened

**Inch/Metric** \_\_\_\_\_ Cast iron-not hardened Combination Square Sets

Set No.	Blade		Square Head	Center Head	Protractor Head	
	Size	Type				
<b>180-803B</b>	12"	4R	<b>180-501B</b>	<b>180-112B</b>	<b>180-212B</b>	-
<b>180-805B</b>	12"	4R	<b>180-501B</b>	<b>180-112B</b>	<b>180-212B</b>	<b>180-301B</b>

**Inch / Metric** \_\_\_\_\_ Blades only

Order No.	Length	Graduations	Accuracy (length)
<b>180-501B</b>	12"	8, 16, 32, 64ths (4R)	+0.005" / -0.0035" (+0.13mm / -0.09mm)
<b>180-502B</b>	12"	32, 64, 50, 100ths (16R)	
<b>180-503B</b>	12" x 300mm	32, 64ths, 1, 0.5mm	
<b>180-505B</b>	300mm	1, .5, 1, 0.5mm	+0.006" / -0.0035" (+0.15mm / -0.09mm)
<b>180-701B</b>	18"	8, 16, 32, 64ths (4R)	
<b>180-703B</b>	18" x 450mm	32, 64ths, 1, 0.5mm	
<b>180-601B</b>	24"	8, 16, 32, 64ths (4R)	+0.007" / -0.0035" (+0.18mm / -0.09mm)
<b>180-603B</b>	24" x 600mm	32, 64ths, 1, 0.5mm	

### Technical Data

- Square head: Used to set the rule at 90 degrees or 45 degrees to an edge of a workpiece.
- Center head: Used to locate centers of round workpieces
- Protractor head: Used to set the rule at a desired angle to an edge of a workpiece. Also used for measuring angles.