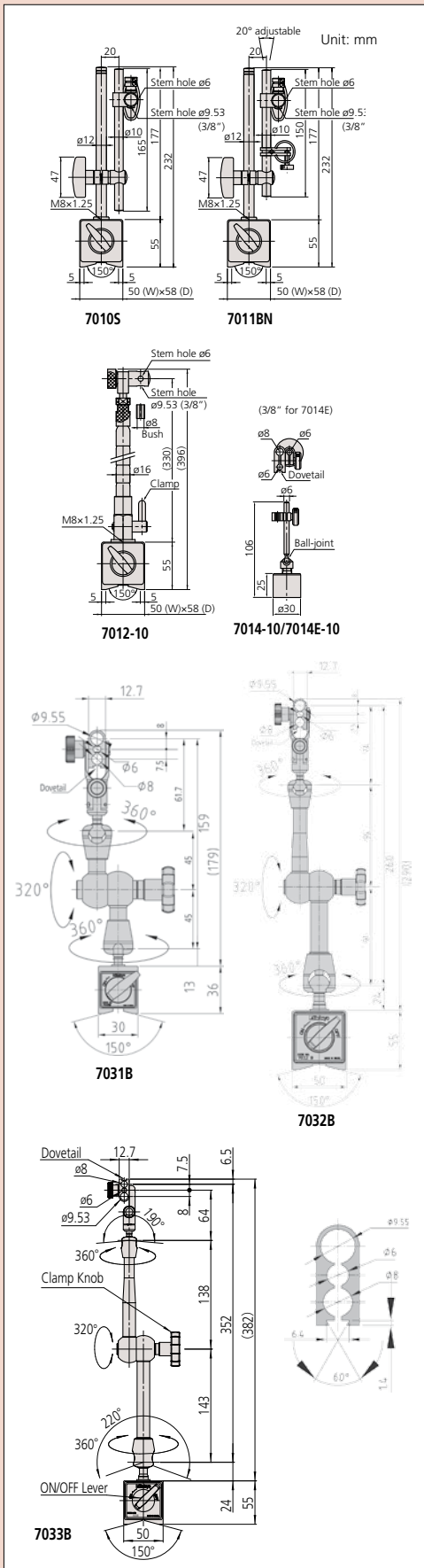


## DIMENSIONS

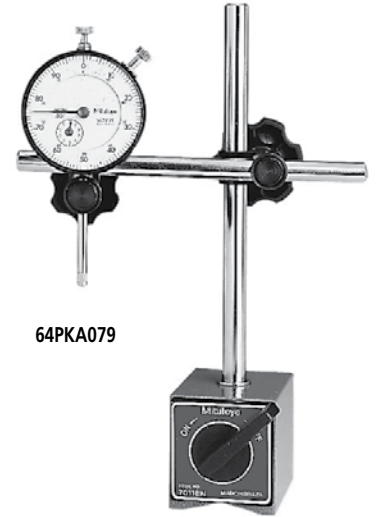


# Dial/Test Indicator & Magnetic Stand Sets

## SERIES 7



513-907



64PKA079

## SPECIFICATIONS

Set No.	Included in set
64PKA078*	2804S-10, 7010S
64PKA079*	2416S, 7010S
513-907	513-402, 7014E-10
513-908	513-404E, 7014-10

\*Supplied with collar 02AZC291

## Magnetic Stands

### SERIES 7

Mitutoyo's Magnetic Stands accept all dial indicators and dial test indicators. The On-Off switch offers instant mounting and dismounting without any adverse effect to the indicators or workpiece surface.



7010S

7011BN



7031B



7032B



7033B



7012-10

7014-10 / 7014E-10  
No magnet force On/Off

## SPECIFICATIONS

Order No.	Description	Applicable holding stem dia.	Dovetail groove	Remarks
7010S	Magnetic stand	$\phi 6$ mm, $\phi 8$ mm*, $\phi 9.53$ mm (3/8")	—	—
7011BN	Magnetic stand	$\phi 6$ mm, $\phi 8$ mm*, $\phi 9.53$ mm (3/8")	—	With fine adjustment
7011S-10	Magnetic stand	$\phi 4$ mm, $\phi 8$ mm, $\phi 9.53$ mm (3/8")	—	With fine adjustment
7012-10	Magnetic flexi-stand	$\phi 6$ mm, $\phi 8$ mm*, $\phi 9.53$ mm (3/8")	—	For dial test indicator
7014-10	Mini magnetic stand	$\phi 6$ mm, $\phi 8$ mm	Provided	Without magnet ON/OFF
7014E-10	Mini magnetic stand	$\phi 6$ mm, $\phi 8$ mm*, $\phi 9.53$ mm (3/8")	Provided	Without magnet ON/OFF
7031B	Universal magnetic stand	$\phi 6$ mm, $\phi 8$ mm, $\phi 9.53$ mm (3/8")	Provided	With mechanical locking system
7032B	Universal magnetic stand	$\phi 6$ mm, $\phi 8$ mm, $\phi 9.53$ mm (3/8")	Provided	With mechanical locking system
7033B	Universal magnetic stand	$\phi 6$ mm, $\phi 8$ mm, $\phi 9.53$ mm (3/8")	Provided	With mechanical locking system

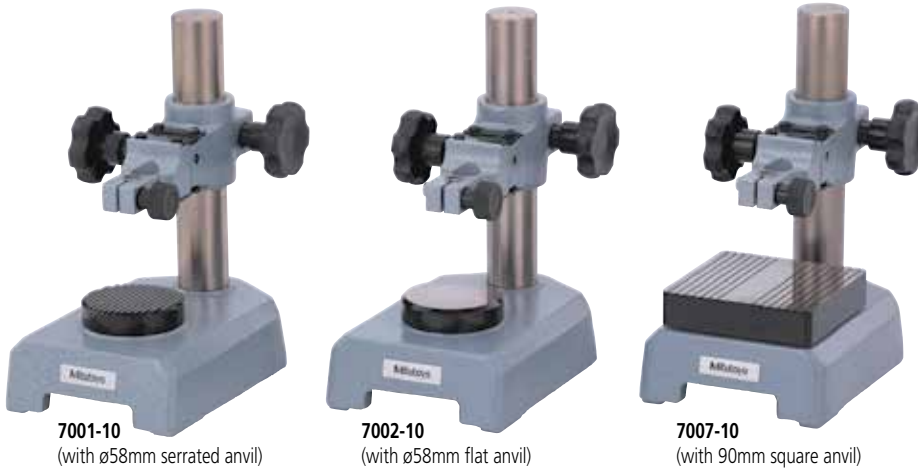
\*Supplied with collar 02AZC291

# Dial Gage Stands

## SERIES 7

### FEATURES

- Dial Gage Stands are designed for comparison measurements of size using a dial indicator or Digimatic Indicator.
- Anvil of 7001-10 and 7002-10:  $\phi 58\text{mm}$   
Anvil of 7007-10: 90mm square
- Vertical fine adjustment is available with one-touch control thanks to the parallel spring suspension.



**7001-10**  
(with  $\phi 58\text{mm}$  serrated anvil)

**7002-10**  
(with  $\phi 58\text{mm}$  flat anvil)

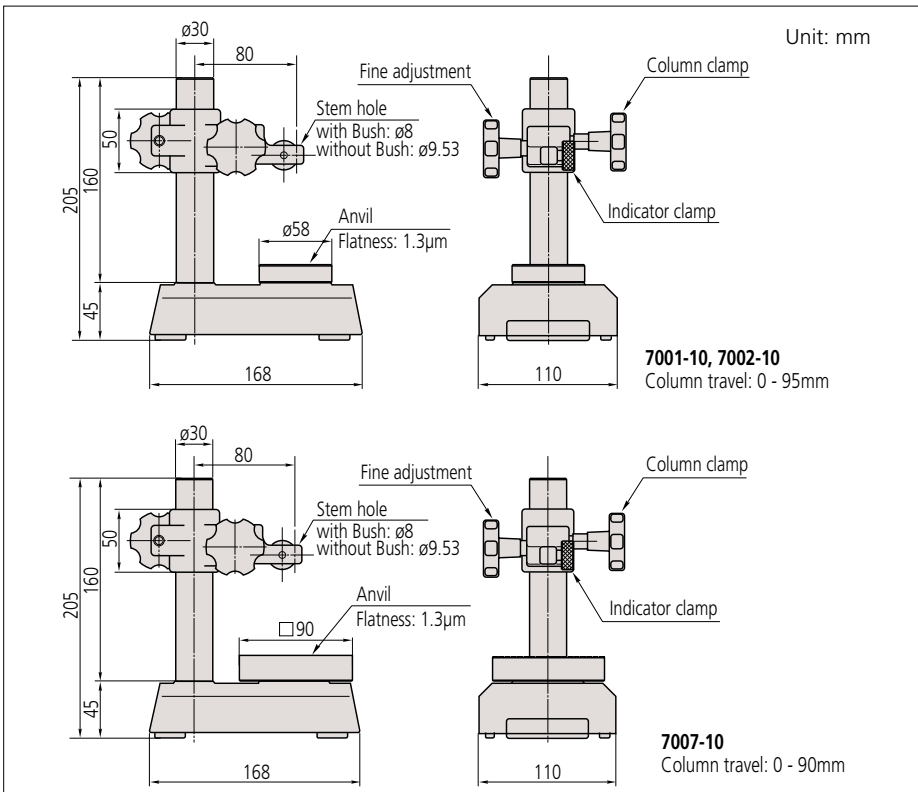
**7007-10**  
(with 90mm square anvil)

### SPECIFICATIONS

#### Metric

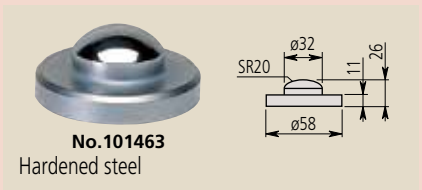
Order No.	Stem hole	Remarks	Mass(g)
7001-10	$\phi 8\text{mm}$ , $\phi 9.53\text{mm}$	With serrated anvil ( <b>101462</b> )	4
7002-10	$\phi 8\text{mm}$ , $\phi 9.53\text{mm}$	With flat anvil ( <b>101461</b> )	4
7007-10	$\phi 8\text{mm}$ , $\phi 9.53\text{mm}$	With square anvil	5

### DIMENSIONS



### Optional Accessories

- 101461:** Hardened-steel flat anvil
  - 101462:** Hardened-steel serrated anvil
  - 101463:** Hardened-steel domed anvil\*
- \*Not available for 7007-10.



# Transfer Stands

## SERIES 519

### FEATURES

- Transfer Stands are designed for comparison measurements of size using a dial indicator or Digimatic Indicator.

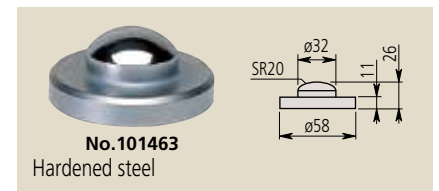
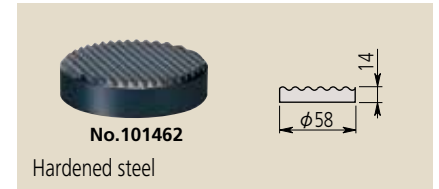


519-109-10  
(with a serrated anvil)

### Optional Accessories

101461: Hardened-steel flat anvil

101463: Hardened-steel domed anvil

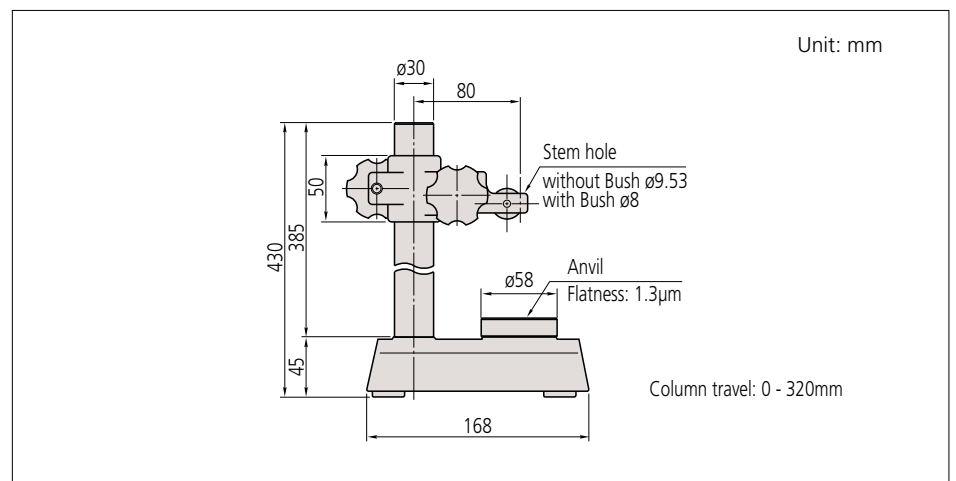


### SPECIFICATIONS

#### Metric

Order No.	Stem hole	Remarks
519-109-10	ø8mm, ø9.53mm	With serrated anvil (101462)

### DIMENSIONS



# Granite Comparator Stands

## SERIES 215

### FEATURES

- Easy maintenance due to the non-rusting base.
- The rigid granite base is free from burrs and pileups due to its fine-grain composition and less viscousness compared with casting iron. The flatness is always accurate and the workpiece is free from damage.



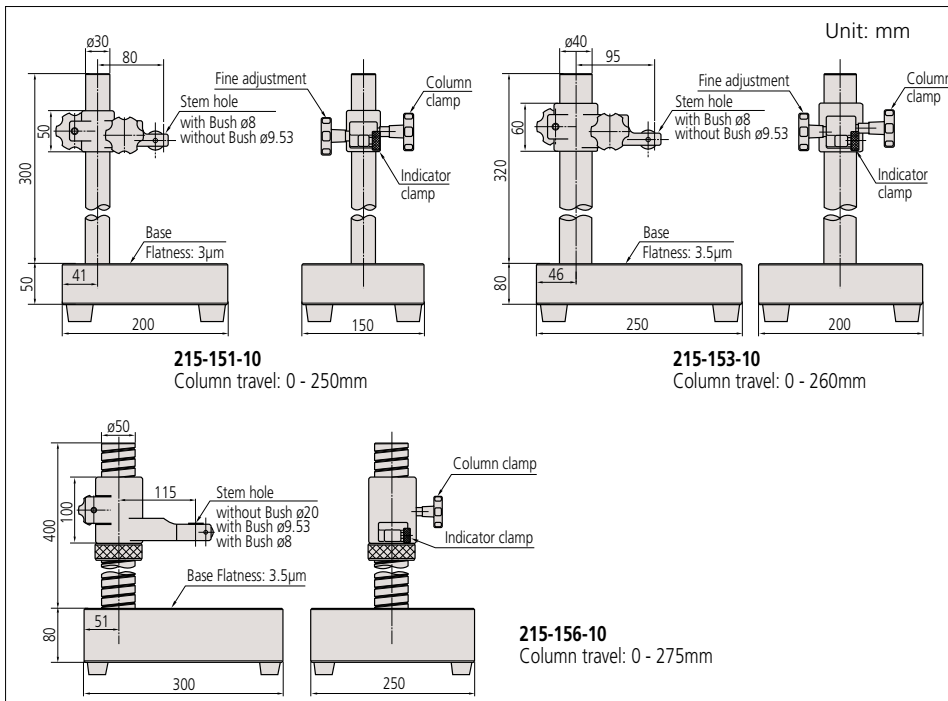
### Optional Accessories

- 21JAA329: ø8mm bush
  - 21JAA330: ø9.53mm bush
  - 21JAA331: ø15mm bush
- only available for 215-156-10

### SPECIFICATIONS

Order No.	Granite base size (W x D x H)	Column travel	Stem hole	Remarks
215-151-10	150 x 200 x 50mm	250mm	ø8mm, ø9.53mm	With fine adjustment of 1mm range
215-153-10	200 x 250 x 80mm	260mm	ø8mm, ø9.53mm	With fine adjustment of 1mm range
215-156-10	300 x 250 x 80mm	275mm	ø8mm, ø9.53mm, ø20mm	With fine adjustment over the entire travel

### DIMENSIONS



# Comparator Stands

## SERIES 215

### FEATURES

- Comparator Stands have a stable, cast-iron base which enables precise measurement.
- The partially serrated anvil prevents flat workpieces from wringing to it and the 2.3 $\mu$ m flatness (or better) promotes accurate measurement.
- The **215-505-10** model has a threaded column which enables easy and precise coarse adjustment.
- Serrated anvils 110x110mm are supplied with **215-405-10**, and 150x150mm with **215-505-10** models.



Application example using Digimatic Indicator ID-H.



215-405-10

### SPECIFICATIONS

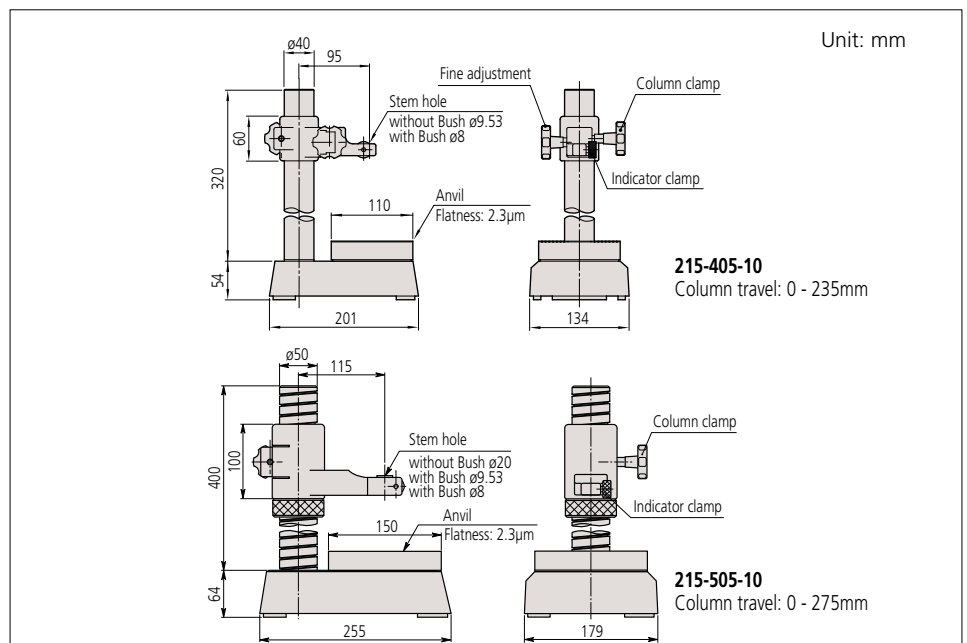
Order No.	Square anvil size (W x D)	Column travel	Stem hole	Remarks
<b>215-405-10</b>	110 x 110mm	235mm	$\varnothing$ 8mm, $\varnothing$ 9.53mm	With fine adjustment of 1mm range
<b>215-505-10</b>	150 x 150mm	275mm	$\varnothing$ 8mm, $\varnothing$ 9.53mm, $\varnothing$ 20mm	With fine adjustment over the entire travel

\* Perpendicularity of the mounting hole to the anvil: less than 0.4mm/100mm

### Optional Accessories

- 21JAA329:  $\varnothing$ 8mm bush\*
  - 21JAA330:  $\varnothing$ 9.53mm (3/8") bush\*
  - 21JAA331:  $\varnothing$ 15mm bush\*
- \* Only available for 215-505-10.

### DIMENSIONS



# Precision Granite Stands (with black granite bases)

## SERIES 517

### FEATURES

Mitutoyo's Granite Comparator Stands are basic building blocks for the assembly of special purpose, precision measuring equipment. By mounting precision measuring instruments such as Digimatic indicators, Mu-Checker Cartridge Heads and Linear Gages on the stands, it is possible to satisfy all manners of measuring assignment. The rigid granite base is free from burrs, pileups and rust, thereby preventing deterioration over time.



### Optional Accessories

012580: Holder for Lug-Back indicator

### SPECIFICATIONS

Order No.	Base	Column Diameter	Column Height	Throat Clearance	Table Flatness	Table Thickness	Weight
517-890	6 x 8"	1.181"	6"	4.375"	.0001"	2"	18 lbs
517-891	6 x 8"	1.181"	8"	4.375"	.0001"	2"	19 lbs
517-892	6 x 8"	1.181"	12"	4.375"	.0001"	2"	20 lbs
517-893	6 x 8"	1.181"	18"	4.375"	.0001"	2"	21 lbs
517-895	8 x 12"	1.181"	6"	5.8"	.0001"	2"	29 lbs
517-896	8 x 12"	1.181"	8"	5.8"	.0001"	2"	30 lbs
517-897	8 x 12"	1.181"	12"	5.8"	.0001"	2"	31 lbs
517-898	8 x 12"	1.181"	18"	5.8"	.0001"	2"	32 lbs
517-899	8 x 12"	1.181"	24"	5.8"	.0001"	2"	35 lbs

